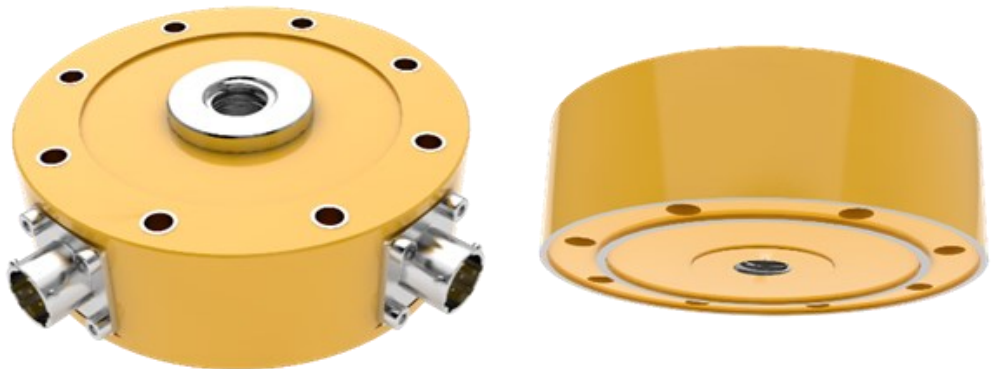


Operating manual

Force Transducer Series DR

Nominal Force
1,25 kN - 500 kN





GTM Testing and Metrology GmbH

Philipp-Reis-Straße 4-6

64404 Bickenbach

Deutschland

Tel: +49 6257 9720-0

Fax: +49 6257 9720-77

contact@gtm-gmbh.com

www.gtm-gmbh.com

© GTM Testing and Metrology GmbH

All rights reserved. This document may not be photocopied, duplicated in any other form or translated into another language either in whole or in part without the prior written consent of GTM.

The content of these manual is intended solely for information purposes and can be changed at any time without prior notification.

With regard to the warranty and liability, we refer expressly to our 'General commercial terms and conditions' (www.gtm-gmbh.com) and the instructions and regulations contained in these installation and operating instructions.

Table of contents

1.	Product description	4
1.1	Designated use.....	4
1.2	Exempted use.....	4
2.	Safety instructions.....	5
3.	Storage and transport instructions	9
4.	Cable connection measuring bridge.....	10
5.	Cable connection acceleration measuring.....	11
6.	Double Bridge	12
7.	Application instructions	13
7.1	Assembly instruction	13
7.2	Installation instruction foot plate	15
7.3	Installation instruction base plate	15
8.	Mating dimensions	16
9.	Technical Data	17
10.	Acceleration Measurement (MEMS)	19
11.	Technical support.....	20
12.	Declaration of incorporation.....	21
13.	Notes	22

1. Product description

1.1 Designated use

The force transducer of the DR series is to be used for measuring static and dynamic tensile forces and compressive forces.

Any other use is not intended and is therefore prohibited. No claims may be made for damage resulting from inappropriate use.

The limit values for the total load and all other limits must be complied with.

1.2 Exempted use

The force transducer is not a safety component. You must not use it in a complete system in which its failure may lead to the life and well being of people being endangered.

The transducer is not suitable or approved for use in potentially explosive areas.

2. Safety instructions

Markings used

The following designations and symbols are used in the operating manual to identify hazards:



DANGER!

Denotes a possibly hazardous situation that can lead to physical injuries or death.



DANGER!

Denotes a hazardous situation due to electrical voltage that can lead to physical injuries or death.



NOTE!

Denotes usage tips, general information and other useful notes.



DANGER OF BURSTING!

Denotes a potentially hazardous situation that can cause physical injuries or death if ignored.

▶ Denotes handling instructions

● Denotes lists

Additional regulations

This operating manual contains the most important notes for safe operation of the transducer. Consideration must also be given to the legal and safety regulations applicable at the operating location, the accident prevention regulations applicable at the operating location and the technical data in connection with the safety regulations listed here.

Residual hazards

The transducer of series DR is state-of-the-art technology and safe to operate. Residual hazards can arise during operation if the devices are used and operated improperly by unqualified personnel.

The scope of delivery for the transducer only covers a partial area of mechatronic metrology. The safety-related criteria for using the transducer within a complete system must be taken into account by the system design engineer, the equipment manufacturer and/or the operator so that residual hazards are minimised. Reference must be made to the remaining residual hazards in the complete system.



DANGER!

In the case of a complete system, the safety-related criteria must be taken into account so that any failure of the transducer does not present a hazard to anyone.

Transducer condition and modifications

You may only operate the transducer in a perfect condition while complying with the instructions given in the operating manual.

The transducer must not be modified either in its design or safety-related features, without our express, written permission.

Overloading

All transducers of this series have already been subjected to an overload test at the manufacturer's. No additional overloads are permissible; always comply with the nominal loads of the transducer.



DANGER OF BURSTING!

Do not overload the transducer!

The attached parts must also be designed to bear the maximum load. Only use attached parts in an appropriate condition.

In case of new, untested designs, you must provide additional protective measures against bursting parts.

Personnel qualifications

The transducer and additional components must only be operated and assembled by qualified personnel. Qualified personnel are those persons who are acquainted with the assembly, commissioning and operation of the transducer and who have the appropriate qualifications for their job.



NOTE

GTM offers training courses to qualify personnel.

Ambient conditions

The transducer is intended for use in enclosed rooms while complying with the ambient conditions detailed in the technical specifications.

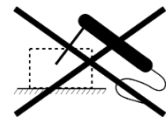
The transducer is not permitted for use in potentially explosive areas.



Protect the transducer against the influences of weather, such as rain and snow. Take appropriate measures on-site against power surges, e.g. from lightning strike.



No welding circuits may be introduced through the body of the transducer. If in doubt, you must dismantle the transducer.



DANGER!

The transducer is not suitable for:

- Potentially explosive areas
- Power surges
- Welding circuits

3. Storage and transport instructions

The transducer series DR is a precision measuring device and must be handled with appropriate caution.

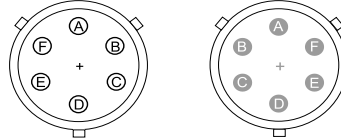
- ▶ If the transducer is dropped or jolted it can become damaged prohibiting any further use.
- ▶ During storage, secure rotationally symmetrical transducers and attachment parts from rolling away.
- ▶ Only use the original transport packaging and other appropriate cut-to-size packaging for storage and transport.

4. Cable connection | measuring bridge



Connection pluggable¹⁾²⁾

6-pin Amphenol
cable connector: - appliance inlet:



Connection		Wire color	Pin
Supply voltage (+)	U_{in+}	blue	A
Supply voltage (-)	U_{in-}	black	D
Measurement signal (+)	U_{out+}	white	B
Measurement signal (-)	U_{out-}	red	C
Sense (+)	Sense+	green	F
Sense (-)	Sense-	grey	E
Shielding			Housing

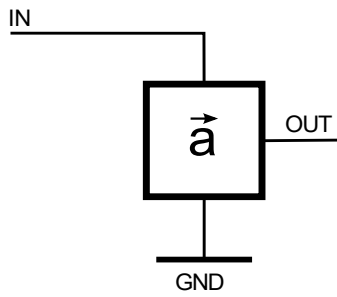
1) View too weldingside

2) Female Amphenol typ: MIL-C-26482 series 1 ; bayonet catch



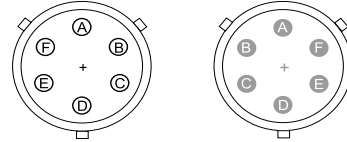
▶ pluggable cable connection

5. Cable connection | acceleration measuring



Connection pluggable¹⁾²⁾

6-pin Amphenol
cable connector: - appliance inlet:



Connection		wire color	Pin (Typ I)	Pin (Typ II)
Supply voltage 5 V	IN	blue	A	
Output voltage	OUT	white	B	
Ground	GND	grey	E	
Supply voltage 5 V	IN	green		F
Output voltage	OUT	red		C
Ground	GND	black		D
Shielding				Housing

1) View too weldingside

2) Female Amphenol typ: MIL-C-26482 series 1; bayonet catch



▶ pluggable cable connection

6. Double Bridge

- ▶ For the double measuring bridge (available as configurable variant), a second, metrologically equivalent signal is fed out via an additional plug. The technical data apply equally to both measuring circuits.

7. Application instructions

7.1 Assembly instruction

- ▶ Tighten the screws evenly and crosswise. For higher tightening torques, tighten the screws in stages.
- ▶ Avoid mechanical strain on the cable and the connector.
- ▶ Avoid a deformation of the assembly surfaces. This could affect the measurement.
- ▶ Pay attention to the cleanliness of the mounting surfaces and connections. They should be cleaned from dust and dirt before mounting and measuring, otherwise the measuring would be influenced.

Nominal force	Screw size	Screw quality	Fastening torque	Surface pressure ¹⁾
kN	-	-	N·m	N/mm ²
1.25; 2.5; 5; 12.5; 25	M6	10.9	14	110
50	M10	10.9	68	140
125	M10	10.9	68	140
250	M12	10.9	117	150
500	M16	10.9	280	100

1) Surface pressure on the contact area as a result of the max. Fastening torque

- ▶ Fastening torque for the mounting screws

Nominal force	Depth (U)	Recommended max. fastening torque
kN	mm	N·m
1.25	30	35
2.5	30	70
5	30	130
12.5	30	315
25	30	360
50	40	2.520
125	40	3.300
250	55	6.435
500	80	17.250

▶ Fastening torque for the central thread

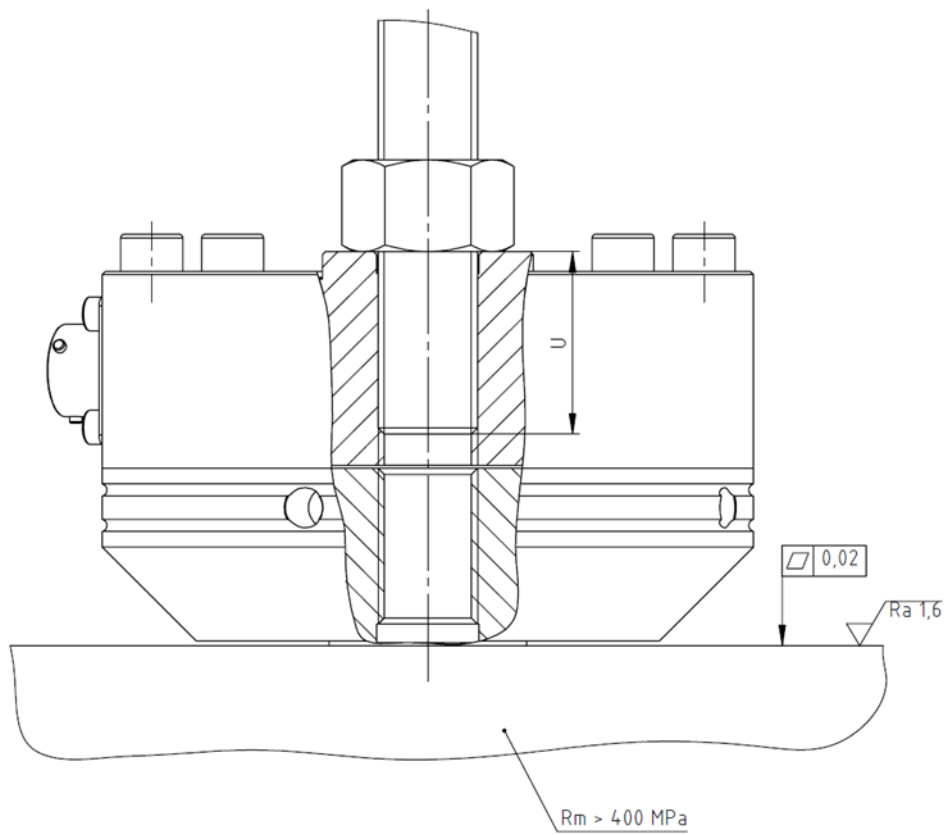


NOTE!

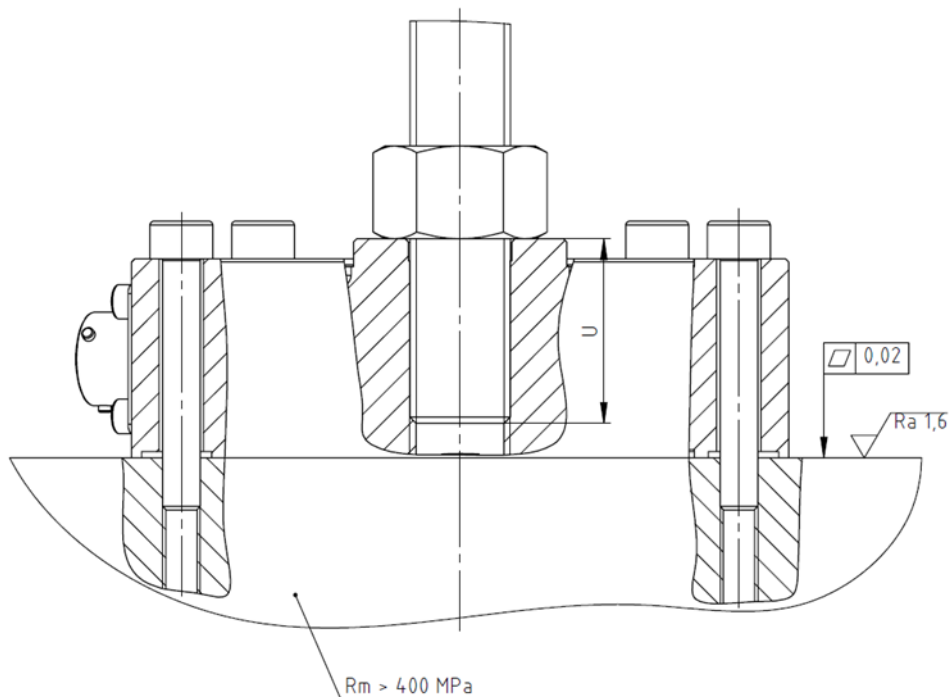
Clamping of the central thread for model 50 kN – 500 kN:

- Strain the force transducer with tension by 130 % of the nominal load
- Tighten the counter nut tangible
- Remove the load

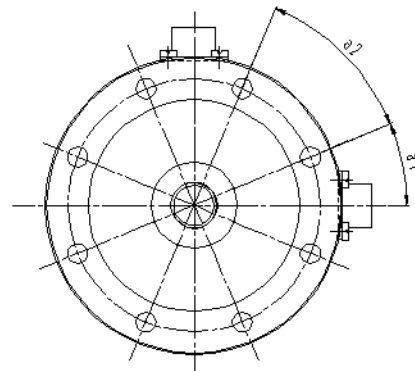
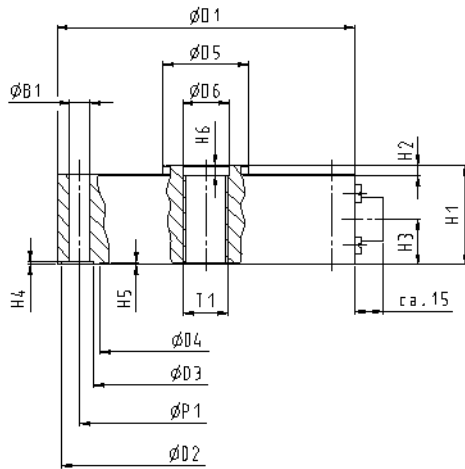
7.2 Installation instruction | foot plate



7.3 Installation instruction | base plate



8. Mating dimensions



Nominal force compression/tension	$\pm F_{nom}$	kN	1.25	2.5	5	12.5	25	50	125	250	500	
Bore	$\varnothing B_1$	mm	7.1				10.4		13.5	16.8		
Thread	$\varnothing T_1$	mm	M16x2-4H				M33x2-4H		M42x2-4H	M72x2-4H		
Diameter	$\varnothing D_1$	mm	104.8-0.1				153.9-0.1		203,2-0.1	279-0.1		
Diameter	$\varnothing D_2$	mm	101.6+0.1				149+0.1		198.1+0.1	269.2+0.1		
Diameter	$\varnothing D_3$	mm	79.2-0.1				115-0.1		146-0.1	188-0.1		
Diameter	$\varnothing D_4$	mm	74.7+0.1				108+0.1		138.9+0.1	172.1+0.1		
Diameter	$\varnothing D_5$	mm	34+0.1				61.2-0.1	67.3-0.1	95.2-0.1	122.2-0.1		
Diameter	$\varnothing D_6$	mm	16.5 _{H8}				33.5 _{H8}		43 _{H8}	73 _{H8}		
Pitch circle diameter	$\varnothing P_1$	mm	88.9±0.1				130.3±0.1		165.1±0.1	229±0.1		
Height	H_1	mm	34.9-0.1				44.5-0.1		63.5-0.1	88.9-0.1		
Height	H_2	mm	3.2				3.1		6.3	12.7		
Height	H_3	mm	15.9				20.7		28.6	38.1		
Height	H_4	mm	0.5							0.8		
Height	H_5	mm	0.5							1		
Height	H_6	mm	3.4				3.5		3			
Angle	a_1		22.5°				15°		11.25°			
Angle	a_2		8x45°				12x30°		16x22.5°			

9. Technical Data

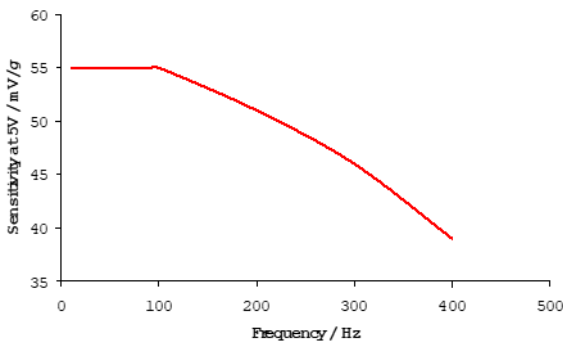
Nominal force compression/tension		$\pm F_{nom}$	kN	1.25	2.5	5	12.5	25	50	125	250	500		
Metrological Data	Accuracy class			0.03			0.04			0.06				
	Linearity error	d_{lin}	%	0.03			0.04			0.06				
	Hysteresis	h	%	0.03			0.04	0.05		0.06				
	Repeatability (f.s.)		%	0.025										
	Zero error	f_0	%	0.01										
	Creep		%	0.025										
	Temperature effect on characteristic value per 10 K	TK_C	%/10 K	0.015										
	Temperature effect on zero signal per 10 K	TK_0	%/10 K	0.015										
	Eccentricity effect		%/mm	< 0.01										
	Bending moment effect		%/N·m	< 0.01										
	Characteristic value difference, tension/compression force	d_{ZD}	%	0.1										
	Electrical Data	Rated characteristic value	C_{nom}	mV/V	1			2						
		Characteristic value tolerance	d_c	%	0.25									
		Zero signal deviation	$d_{S,0}$	%	1									
Input resistance		R_e	Ω	350										
Output resistance		R_a	Ω	280 - 360										
Insulation resistance		R_{is}	Ω	>2 ⁹										
Operating range of excitation voltage		$B_{U,G}$	V	0.5 - 12										
Protection (DIN EN 60529)				67										

Technical Data

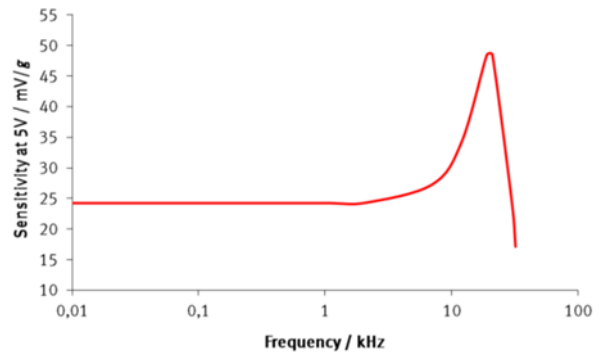
Mechanical Data	Nominal force/compression/tension	$\pm F_{nom}$	kN	1.25	2.5	5	12.5	25	50	125	250	500
	Rated Displacement	s_{nom}	mm	0.02			0.03			0.04	0.05	0.06
	Spring rigidity	c_{ax}	kN/mm	62.5	125	250	415	830	1650	3125	5000	8300
	Mass	m	kg	0.5		1.3			5		11	28
	Proportionate moving mass	m_{mess}	kg	0.09			0.25		1.1		3.3	6.3
	Fundamental resonant frequency	f_G	kHz	4.5	5.9	9.3	6.6	9.2	6.5	8.1	6.6	6.1
	Permissible oscillation stress		%	100								
	Force limit		%	230								
	Breaking force		%	> 400								
	Lateral force limit		%	100								
Limits	Permissible eccentricity	e_G	mm	25								20
	Bending moment limit	$M_{b\,zul}$	N·m	40	80	140	330	635	1750	4500	9000	20000
	Rated temperature range	$B_{T,nom}$	°C	-10 - +45								
	Operating temperature range	$B_{T,G}$	°C	-30 - +85								

10. Acceleration Measurement (MEMS)

Typ		I	II
Rated acceleration	g	19	50
Rated sensitivity at 5 V	mV/g	57 ± 10	40 ± 2 (ratiometric)
Static output voltage at 0 g	V_{DC}	1.5 ± 0.25	2.5 ± 0.25
Typical bandwidth	kHz	1.6	11
Excitation voltage	V_{DC}	(5 ± 0.25)	
Linearity error	%	0.3	0.1
Resonant frequency	kHz	5.5	21



► Typ I (37 g)



► Typ II (70 g)

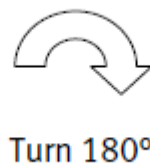
- In order to determine the individual sensitivity of the acceleration sensors, we recommend to measure the static output signal at +/- 1g.

The sensitivity results from the span of the two measured values divided by the span of the acceleration due to gravity (2g).

Signal A at + 1g



Signal B at - 1g



11. Technical support

If problems arise while working with the product the following GTM services can be used:

E-mail support

contact@gtm-gmbh.com

Worldwide contact

GTM Testing and Metrology GmbH
Philipp-Reis-Straße 4-6
64404 Bickenbach
Tel. +49 6257 9720-0
Fax +49 6257 9720-77
www.gtm-gmbh.com

Local contact in Czech Republic

GTM Praha s.r.o.
Prosecká 811/76 a
19000 Praha 9
Czech Republic
Tel. +420 286 891 392
info@gtm.cz
www.gtm.cz

12. Declaration of incorporation

In accordance with EC Machinery Directive 2006/42/EC from May 17, 2006,
Appendix II B

We,

**GTM Testing and Metrology GmbH
Philipp-Reis-Straße 4-6
64404 Bickenbach
Deutschland**

hereby declare that the product

Force Transducer Series DR

complies with the following basic requirement:

- ▶ 2006/42/EG, Appendix II B EC Machinery Directive
- ▶ 2004/108/EC EMC Directive

The special technical documents were created in accordance with Appendix VII, Part B of the EC Machinery Directive 2006/42/EC. Upon reasoned request we shall undertake to submit them to the market supervision authority in electronic form within an appropriate period.

The product delivered by us may only be put into operation if it has been determined that the machine into which the product is to be incorporated likewise complies with the provisions of the Machinery Directive.



Daniel Schwind, Technical Manager

Bickenbach, 30.06.2022

13. Notes



#precision wins

GTM Testing and Metrology GmbH

Tel: +49 6257 9720-0

Fax: +49 6257 9720-77

contact@gtm-gmbh.com

www.gtm-gmbh.com

Subject to change without notice. All information describes our products in general terms. They do not represent agreed quality in the sense of § 434 Para. 1 of the BGB (German Civil Code).

Illustrations may differ from originals.

