

Operating manual

Multicomponent Transducer Series XY

**1000 / 500 lbf —
2000 / 1000 lbf**





GTM Testing and Metrology GmbH

Philipp-Reis-Straße 4-6

64404 Bickenbach

Deutschland

Tel: +49 6257 9720-0

Fax: +49 6257 9720-77

contact@gtm-gmbh.com

www.gtm-gmbh.com

© GTM Testing and Metrology GmbH

All rights reserved. This document may not be photocopied, duplicated in any other form or translated into another language either in whole or in part without the prior written consent of GTM.

The content of these manual is intended solely for information purposes and can be changed at any time without prior notification.

With regard to the warranty and liability, we refer expressly to our 'General commercial terms and conditions' (www.gtm-gmbh.com) and the instructions and regulations contained in these installation and operating instructions.

Table of contents

1. Product description	4
1.1 Designated use.....	4
1.2 Exempted use.....	4
2. Safety instructions.....	5
3. Storage and transport instructions	9
4. Cable connection	10
5. Application instructions	11
5.1 Assembly instruction	11
6. Mating dimensions	12
7. Technical Data	13
8. Technical support	14
9. Declaration of incorporation.....	15

1. Product description

1.1 Designated use

The multicomponent transducer of the XY series is to be used for measuring static and dynamic tensile and compressive forces.

Any other use is not intended and is therefore prohibited. No claims may be made for damage resulting from inappropriate use.

The limit values for the total load and all other limits must be complied with.

1.2 Exempted use

The force transducer is not a safety component. You must not use it in a complete system in which its failure may lead to the life and well being of people being endangered.

The transducer is not suitable or approved for use in potentially explosive areas.

2. Safety instructions

Markings used

The following designations and symbols are used in the operating manual to identify hazards:



DANGER!

Denotes a possibly hazardous situation that can lead to physical injuries or death.



DANGER!

Denotes a hazardous situation due to electrical voltage that can lead to physical injuries or death.



NOTE!

Denotes usage tips, general information and other useful notes.



DANGER OF BURSTING!

Denotes a potentially hazardous situation that can cause physical injuries or death if ignored.

▶ Denotes handling instructions

● Denotes lists

Additional regulations

This operating manual contains the most important notes for safe operation of the transducer. Consideration must also be given to the legal and safety regulations applicable at the operating location, the accident prevention regulations applicable at the operating location and the technical data in connection with the safety regulations listed here.

Residual hazards

The transducer of series XY is state-of-the-art technology and safe to operate. Residual hazards can arise during operation if the devices are used and operated improperly by unqualified personnel.

The scope of delivery for the transducer only covers a partial area of mechatronic metrology. The safety-related criteria for using the transducer within a complete system must be taken into account by the system design engineer, the equipment manufacturer and/or the operator so that residual hazards are minimised. Reference must be made to the remaining residual hazards in the complete system.



DANGER!

In the case of a complete system, the safety-related criteria must be taken into account so that any failure of the transducer does not present a hazard to anyone.

Transducer condition and modifications

You may only operate the transducer in a perfect condition while complying with the instructions given in the operating manual.

The transducer must not be modified either in its design or safety-related features, without our express, written permission.

Overloading

All transducers of this series have already been subjected to an overload test at the manufacturer's. No additional overloads are permissible; always comply with the nominal loads of the transducer.



DANGER OF BURSTING!

Do not overload the transducer!

The attached parts must also be designed to bear the maximum load. Only use attached parts in an appropriate condition.

In case of new, untested designs, you must provide additional protective measures against bursting parts.

Personnel qualifications

The transducer and additional components must only be operated and assembled by qualified personnel. Qualified personnel are those persons who are acquainted with the assembly, commissioning and operation of the transducer and who have the appropriate qualifications for their job.



NOTE

GTM offers training courses to qualify personnel.

Ambient conditions

The transducer is intended for use in enclosed rooms while complying with the ambient conditions detailed in the technical specifications.

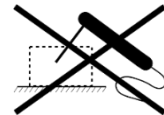
The transducer is not permitted for use in potentially explosive areas.



Protect the transducer against the influences of weather, such as rain and snow. Take appropriate measures on-site against power surges, e.g. from lightning strike.



No welding circuits may be introduced through the body of the transducer. If in doubt, you must dismantle the transducer.



DANGER!

The transducer is not suitable for:

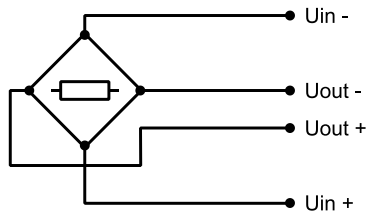
- Potentially explosive areas
- Power surges
- Welding circuits

3. Storage and transport instructions

The transducer series XY is a precision measuring device and must be handled with appropriate caution.

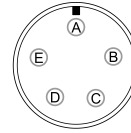
- ▶ If the transducer is dropped or jolted it can become damaged prohibiting any further use.
- ▶ During storage, secure rotationally symmetrical transducers and attachment parts from rolling away.
- ▶ Only use the original transport packaging and other appropriate cut-to-size packaging for storage and transport.

4. Cable connection



Connection pluggable¹⁾²⁾

5-pin Amphenol Male:



Connection		Pin
Supply voltage (+)	U_{in+}	B
Supply voltage (-)	U_{in-}	C
Measurement signal (+)	U_{out+}	D
Measurement signal (-)	U_{out-}	A
Shielding		Housing

1) View too connection side

2) Male Amphenol MS3102E-14S-5P

5. Application instructions

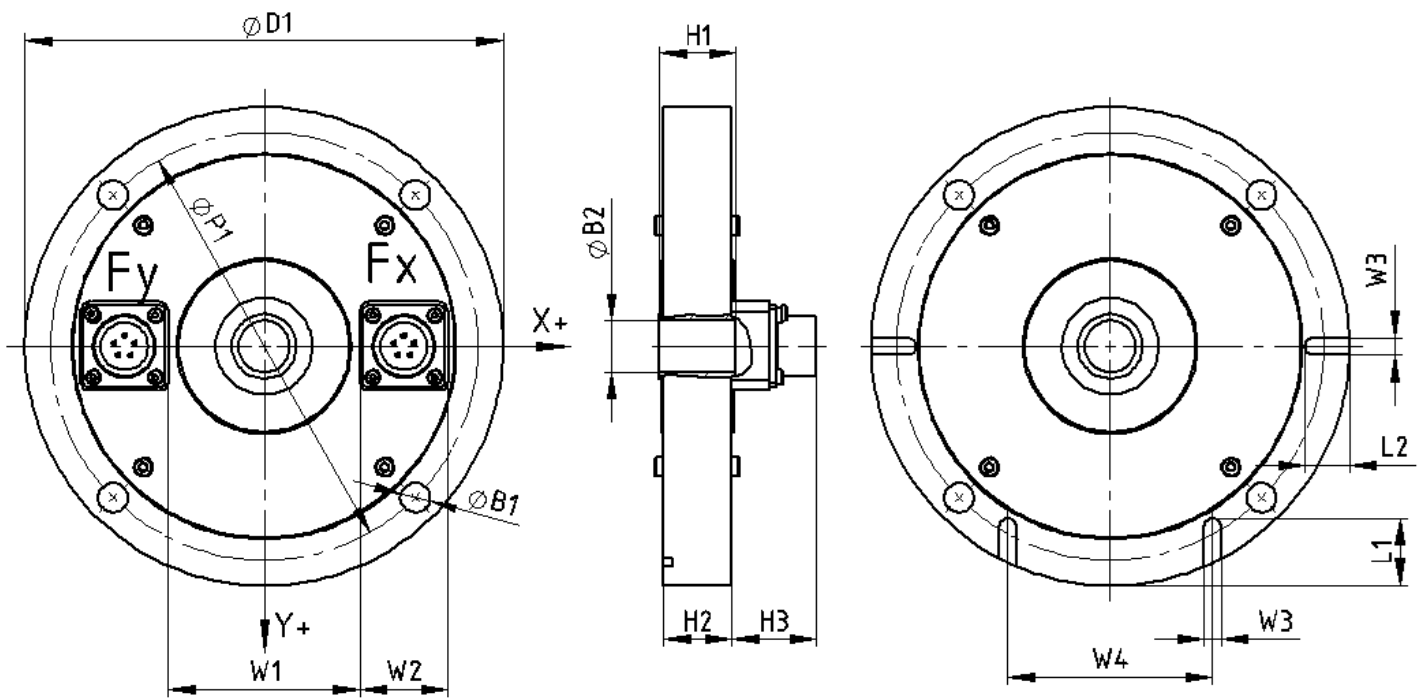
5.1 Assembly instruction

- ▶ Tighten the screws evenly and crosswise. For higher tightening torques, tighten the screws in stages.
- ▶ Avoid mechanical strain on the cable and the connector.
- ▶ Avoid a deformation of the assembly surfaces. This could affect the measurement.
- ▶ Pay attention to the cleanliness of the mounting surfaces and connections. They should be cleaned from dust and dirt before mounting and measuring, otherwise the measuring would be influenced.

Screw size	Screw quality	Suggested fastening torque
-	-	N·m
(4x) M10	10.9	72

- ▶ **Recommended screw connection**

6. Mating dimensions



Nominal force	F_x F_y	lbf lbf	1000 - 2000 500 - 1000
Nominal force	F_x F_y	N N	4448 - 8896 2224 - 4448
Bore	$\varnothing B_1$	mm	11
Bore	$\varnothing B_2$	mm	19 E9
Diameter	$\varnothing D_1$	mm	177.8
Pitch circle diameter	$\varnothing P_1$	mm	159 ±0.1
Height	H_1	mm	28.6 -0.05
Height	H_2	mm	25.4
Height	H_3	mm	33
Lenght	L_1	mm	25
Lenght	L_2	mm	16.5
Width	W_1	mm	71
Width	W_2	mm	33
Width	W_3	mm	6.35 +0.02
Width	W_4	mm	76.2 ±0.01

7. Technical Data

	Nominal force	F_x F_y	lbf lbf	1000 500	1500 500	2000 500	2000 1000
	Rated Force	F_x F_y	N N	4448 2224	6672 2224	8896 2224	8896 4448
Metrological Data	force measurement range	d_{in}	%	0.1			
	Hysteresis	h	%	0.05			
	Reproducibility		%	0.02			
	Zero error	f_0	%	1			
	Creep		%	0.05			
	Temperature effect on characteristic value per 10 K	TK_C	%/10K	0.04			
	Temperature effect on zero signal per 10 K	TK_0	%/10K	0.04			
	Rated characteristic value	C_{nom}	mV/V	1.9			
	Characteristic value tolerance	d_c	%	0.25			
Electrical Data	Zero signal deviation	$d_{S,0}$	%	1			
	Input resistance	R_e	Ω	1000			
	Output resistance	R_a	Ω	1000			
	Insulation resistance	R_{is}	Ω	$> 5 \cdot 10^9$			
	Operating range of excitation voltage	$B_{U,G}$	V	12			
	Protection (DIN EN 60529)			IP 40			
	Limits	Force limit		%	150		
Breaking force			%	200			
Rated temperature range		$B_{T,nom}$	$^{\circ}\text{C}$	+10 ... +60			
Operating temperature range		$B_{T,G}$	$^{\circ}\text{C}$	-15 ... +85			

8. Technical support

If problems arise while working with the product the following GTM services can be used:

E-mail support

contact@gtm-gmbh.com

Worldwide contact

GTM Testing and Metrology GmbH
Philipp-Reis-Straße 4-6
64404 Bickenbach
Tel. +49 6257 9720-0
Fax +49 6257 9720-77
www.gtm-gmbh.com

Local contact in Czech Republic

GTM Praha s.r.o.
Prosecká 811/76 a
19000 Praha 9
Czech Republic
Tel. +420 286 891 392
info@gtm.cz
www.gtm.cz

9. Declaration of incorporation

In accordance with EC Machinery Directive 2006/42/EC from May 17, 2006,
Appendix II B

We,

**GTM Testing and Metrology GmbH
Philipp-Reis-Straße 4-6
64404 Bickenbach
Deutschland**

hereby declare that the product

Multicomponent Transducer Series XY

complies with the following basic requirement:

- ▶ 2006/42/EG, Appendix II B EC Machinery Directive
- ▶ 2004/108/EC EMC Directive

The special technical documents were created in accordance with Appendix VII, Part B of the EC Machinery Directive 2006/42/EC. Upon reasoned request we shall undertake to submit them to the market supervision authority in electronic form within an appropriate period.

The product delivered by us may only be put into operation if it has been determined that the machine into which the product is to be incorporated likewise complies with the provisions of the Machinery Directive.



Daniel Schwind, Technical Manager

Bickenbach, 30.06.2022



#precision wins

GTM Testing and Metrology GmbH

Tel: +49 6257 9720-0

Fax: +49 6257 9720-77

contact@gtm-gmbh.com

www.gtm-gmbh.com

Subject to change without notice. All information describes our products in general terms. They do not represent agreed quality in the sense of § 434 Para. 1 of the BGB (German Civil Code).

Illustrations may differ from originals.

