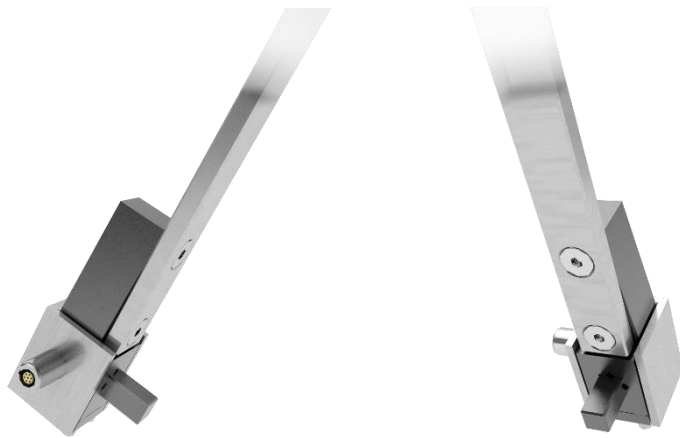


Data sheet

Torque Transfer Wrench

Series Dm-TS

(2 N·m – 3000 N·m)



Benefits/Application

- Class 0.1 and 0.2 acc. DKD-R-3-7
- High precision
- Little weight
- Standardised connection dimensions
- For static moments
- Insensitive to changes in the lever arm length
- Easy adaption

Options/Accessories

- Temperature measurement with PT 100

Technical data

Class 0,1

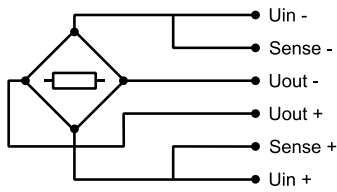
Rated Torque		M_{nom}	N·m	2	5	10	20	25	50	100	200	500	1000	1500 2000	3000
Metrological Data	Torque measurement range		%	20 - 100											
	Interpolation error	f_c	%	0,05											
	Reversibility error	v	%	0,125											
	Repeatability error in unchanged mounting position	b, b_{rg}	%	0,05											
	Reproducibility error in different mounting positions	b', b_{rv}	%	0,1											
	Zero error	f_0	%	0,025											
	Creep		%	0,01											
	Temperature effect on characteristic value per 10 K	TK_c	%/10 K	0,05											
	Temperature effect on zero signal per 10 K	TK_0	%/10 K	0,05											
	Electrical Data	Rated characteristic value	C_{nom}	mV/V	2										
Input resistance		R_e	Ω	1100								700-800			
Output resistance		R_a	Ω	850-1000								1700-2000			
Insulation resistance		R_{is}	Ω	>2x10 ⁹											
Operating range of excitation voltage		$B_{U, G}$	V	5 - 12											
Protection (DIN EN 60529)				IP 60											
Limits	Mass	m	kg	0,3			0,9			1,5	2,5	3,2	4	30	
	Torque limit		%	120											
	Breaking torque		%	200											
	Lateral force limit	N	%	24	60	120	240	300	480	690	1200	2400		2900	
	Rated temperature range	$B_{T, nom}$	°C	-10 - +70											
	Operating temperature range	$B_{T, G}$	°C	-20 - +85											



Technical data

Class 0,2

Rated Torque		M_{nom}	N·m	2	5	10	20	25	50	100	200	500	1000	1500 2000	3000
Metrological Data	Torque measurement range		%	20 - 100											
	Interpolation error	f_c	%	0,1											
	Reversibility error	v	%	0,25											
	Repeatability error in unchanged mounting position	b, b_{rg}	%	0,1											
	Reproducibility error in different mounting positions	b', b_{rv}	%	0,2											
	Zero error	f_0	%	0,05											
	Creep		%	0,02											
	Temperature effect on characteristic value per 10 K	TK_c	%/10 K	0,05											
	Temperature effect on zero signal per 10 K	TK_0	%/10 K	0,05											
	Electrical Data	Rated characteristic value	C_{nom}	mV/V	2										
Input resistance		R_e	Ω	1100						700-800					
Output resistance		R_a	Ω	850-1000						1700-2000					
Insulation resistance		R_{is}	Ω	>2x10 ⁹											
Operating range of excitation voltage		$B_{U,G}$	V	5 - 12											
Protection (DIN EN 60529)				IP 60											
Limits	Mass	m	kg	0,3			0,9			1,2	2,5	3,2	4	30	
	Torque limit		%	120											
	Breaking torque		%	200											
	Lateral force limit	N	%	24	60	120	240	300	480	690	1200	2400		2900	
	Rated temperature range	$B_{T,nom}$	°C	-10 - +70											
	Operating temperature range	$B_{T,G}$	°C	-20 - +85											

Cable connection



		Permanent connection end connected ¹⁾³⁾⁴⁾	Connection pluggable ¹⁾²⁾⁵⁾
		7-pin LEMO Series 1 Female ³⁾	7-pin LEMO Series 0 Female: - Male:
			
Connection		Pin	Pin
Supply voltage (+)	U _{in+}	3	3
Supply voltage (-)	U _{in-}	2	2
Measurement signal (+)	U _{out+}	1	1
Measurement signal (-)	U _{out-}	4	4
Sense (+)	Sense+	5	5
Sense (-)	Sense-	6	6
Shielding		Housing	Housing

- 1) View to welding side.
- 2) Female LEMO S.A. Typ: EGG.1B.307.CLL; Male: FGG.1B.307.CLA.D72
- 3) Available up to size 25 N·m
- 4) Cable length 0,5 m
- 5) Available from size 50 N·m



*Permanent connection
End permanent connected
(up to size 10 N·m)*



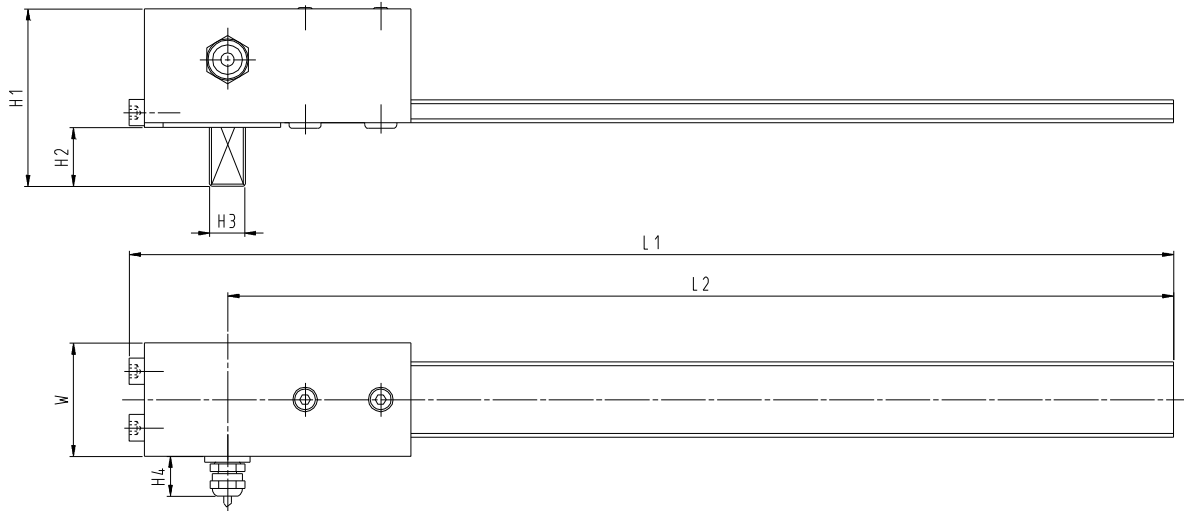
Pluggable connection

- Available types of connectors for the cable: D-Sub 9 pol; D-Sub 15pol; M-S 7pol; LEMO Series1 7pol
- Configuration with customer defined connection is possible

Mating dimensions

up to 25 N·m

Size: 2 N·m - 25 N·m

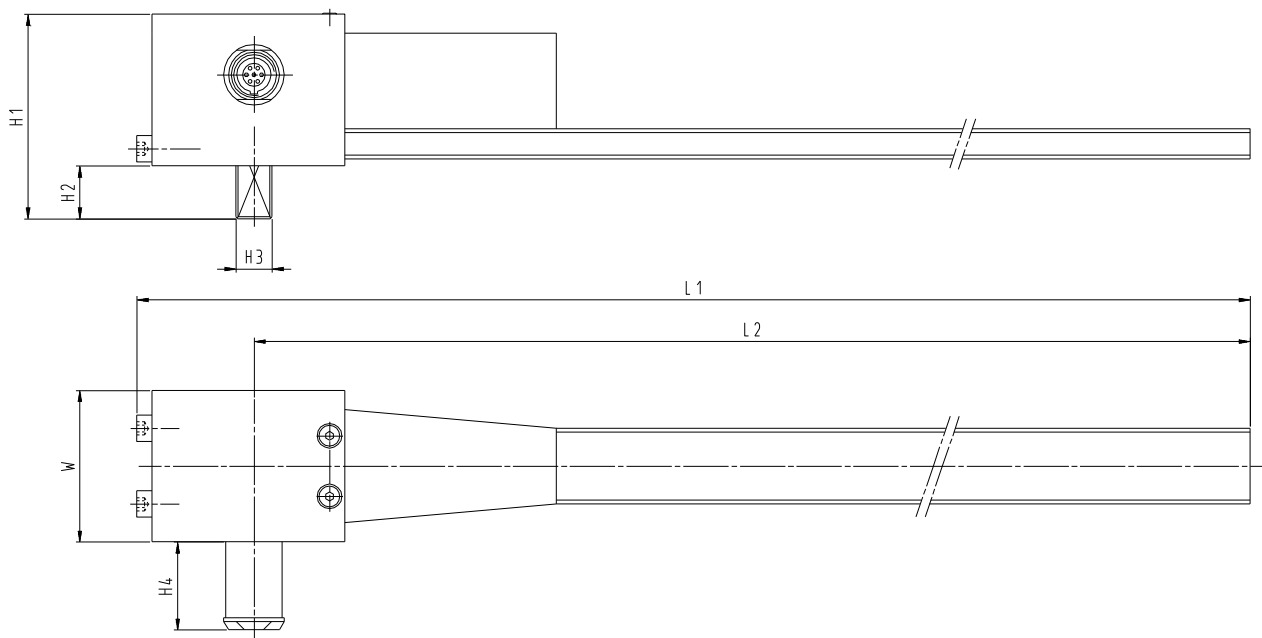


Rated Torque	M_{nom}	N·m	2	5	10	20	25
Height	H_1	mm	47				
Height	H_2	mm	15,5				
Height	H_3	mm	3/8"				
Height	H_4	mm	11				
Lenght	L_1	mm	276				
Lenght	L_2	mm	250				
Width	W	mm	30				

Mating dimensions

up to 200 N·m

Size: 50 N·m - 200 N·m

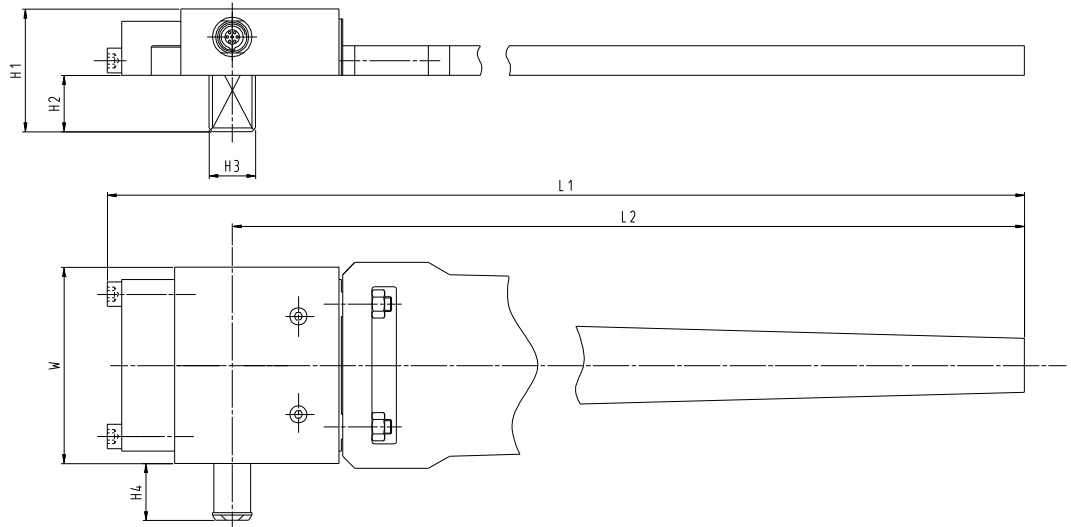


Rated Torque	M_{nom}	N·m	50	100	200
Height	H_1	mm	54	63,5	28
Height	H_2	mm	14	23,5	20
Height	H_3	mm	3/8"		1/2"
Height	H_4	mm	23		
Length	L_1	mm	481	582	799
Length	L_2	mm	450	550	756
Width	W	mm	40		60

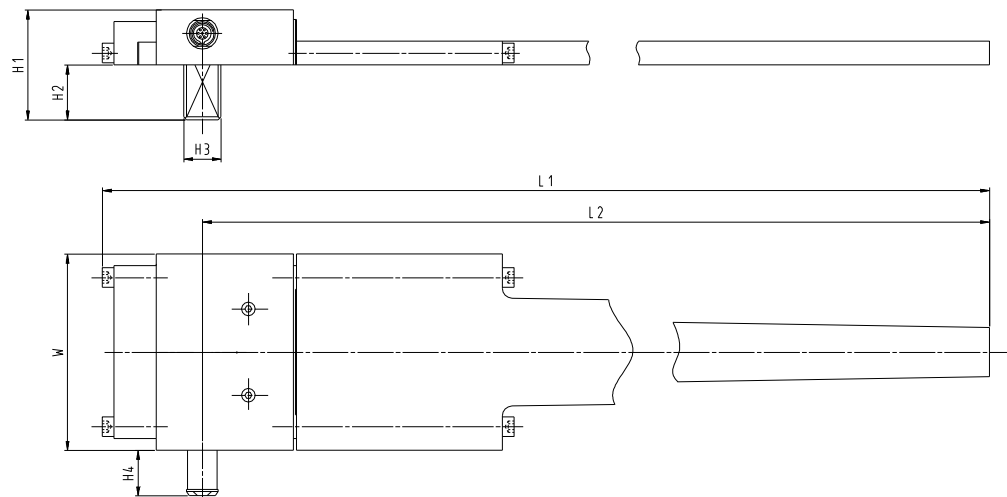
Mating dimensions

from 500 N·m

Size: 500 N·m



Size: 1000 - 3000 N·m



Rated Torque	M_{nom}	N·m	500	1000	1500 2000	3000 ¹⁾
Height	H_1	mm	50	56	62	83,5
Height	H_2	mm	23	28		33,5
Height	H_3	mm	3/4"	1"		1 1/2"
Height	H_4	mm	25			
Lenght	L_1	mm	1113	1115	1124	2587
Lenght	L_2	mm	1062	1064		2500
Width	W	mm	80	100	132	197

1) Lever arm is divided for transportation provided.

Änderungen vorbehalten. Alle Angaben beschreiben unsere Produkte in allgemeiner Form. Sie stellen keine vereinbarte Beschaffenheit im Sinne des § 434 Abs. 1 BGB dar.

GTM
DEFINING PRECISION

GTM Testing and Metrology GmbH
Philipp-Reis-Straße 4-6, 64404 Bickenbach, Germany
www.gtm-gmbh.com
Phone +49(0)6257-9720-0, Fax +49(0)6257-9720-77
contact@gtm-gmbh.com